

## Truck-Crane Railroad Grapples

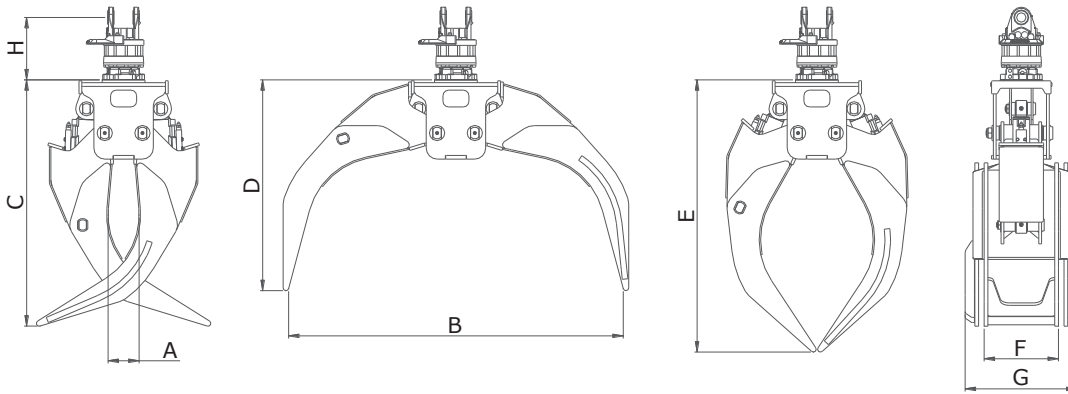
Moley Magnetics Inc. offers the best deal, materials & warranty on Railroad Grapples as our grapples have an industry best 24-month warranty.



- 24-Month Warranty
- Fully Protected Cylinders
- Indexator Rotators
- Hardened Bushings
- Heavier Duty Body Construction
- Multiple Pinned Tines
- Double Acting Safety Valves
- 6 Sizes Available

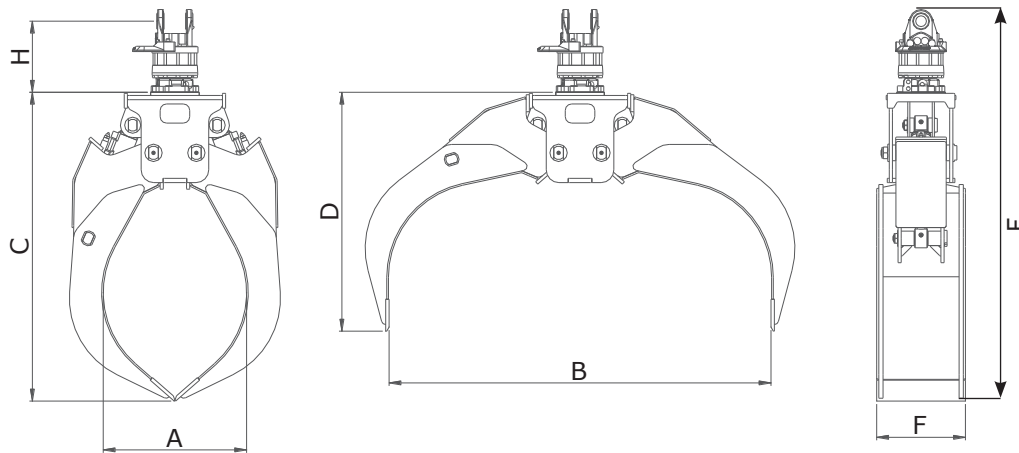
## Truck-Crane Railroad Grapples (Con't)

MPB Bypass Style



| MODEL | WEIGHT<br>LBS. | CYLINDERS<br>N | SIZES (in.) |    |    |    |    |    |    |    | LOAD CAPACITY<br>T | FORCE<br>T | PRESSURE<br>PSI |      |
|-------|----------------|----------------|-------------|----|----|----|----|----|----|----|--------------------|------------|-----------------|------|
|       |                |                | A           | B  | C  | D  | E  | F  | G  | H  |                    |            | CLOSE           | OPEN |
| MPB 1 | 860            | 2              | 3           | 60 | 45 | 39 | 49 | 16 | 23 | 13 | 2.2                | 2.2        | 4336            | 4046 |
| MPB 2 | 926            | 2              | 3           | 71 | 52 | 44 | 57 | 16 | 23 | 13 | 2.2                | 1.8        | 4336            | 4046 |
| MPB 3 | 937            | 2              | 3           | 79 | 56 | 48 | 62 | 16 | 23 | 13 | 2.2                | 1.5        | 4336            | 4046 |

MPB Butt Style



| MODEL   | WEIGHT<br>LBS. | CYLINDERS<br>N | SIZES (in.) |    |    |    |    |    |    |       | LOAD CAPACITY<br>T | FORCE<br>T | PRESSURE<br>PSI |  |
|---------|----------------|----------------|-------------|----|----|----|----|----|----|-------|--------------------|------------|-----------------|--|
|         |                |                | A           | B  | C  | D  | E  | F  | H  | CLOSE |                    |            | OPEN            |  |
| MPB 1 C | 827            | 2              | 24          | 60 | 49 | 39 | 62 | 16 | 23 | 2.2   | 2.2                | 4336       | 4046            |  |
| MPB 2 C | 871            | 2              | 27          | 71 | 57 | 44 | 70 | 16 | 23 | 2.2   | 1.1                | 4336       | 4046            |  |
| MPB 3 C | 915            | 2              | 28          | 79 | 62 | 48 | 75 | 16 | 23 | 2.2   | 1.1                | 4336       | 4046            |  |