

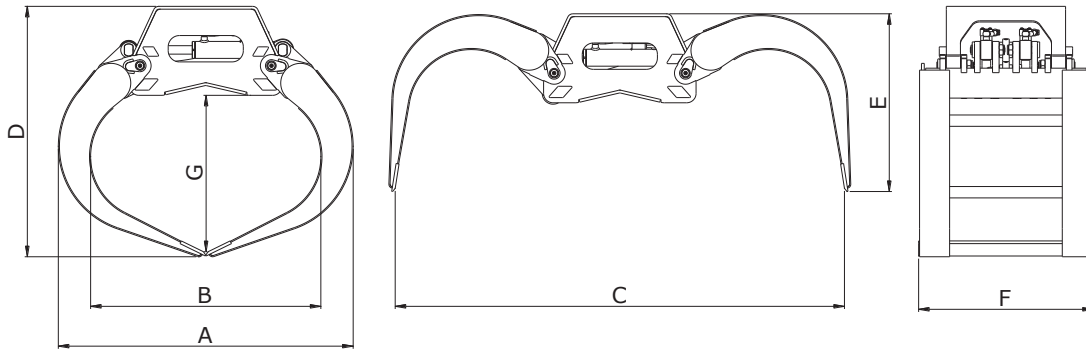
## Excavator Railroad Butt Style Tie Grapples

The Moley Railroad Butt Style Tie Grapples move ties and/or position pre-fabricated pieces of rail while building/servicing railroads. These grapples also are also used to move loose pieces of tracks.



- 24-Month Warranty
- Hardened Shaft
- Wear Resistant Blade
- Safety Holding Valve
- Hardox 400 Construction
- 360° Rotation Available

## Excavator Railroad Butt Style Tie Grapples (Con't)



MODEL	SURFACE	WEIGHT	CYLINDERS	SIZES (in.)						
	ft <sup>2</sup>	LBS.	N	A	B	C	D	E	F	G
RBSTG 5	7.5	1,807	2	57	50	81	47	36	37	26
RBSTG 5 R	7.5	1,896	2	52	37	86	48	36	37	28
RBSTG 5 C	7.5	1,874	2	57	43	81	46	36	37	26
RBSTG 6	10.8	1,862	2	62	48	94	53	38	37	33
RBSTG 6 R	10.8	2,050	2	62	48	94	53	38	37	33
RBSTG 6 C	10.8	2,028	2	62	48	94	53	38	37	33
RBSTG 7	15.1	1,962	2	78	63	109	60	40	37	40
RBSTG 7 R	15.1	2,205	2	78	63	109	60	40	37	40
RBSTG 7 C	15.1	2,183	2	78	63	109	60	40	37	40

MODEL	LOAD CAPACITY	FORCE	PRESSURE		REC OILFLOW		TEMPS		MACHINE
	TONS	TONS	PSI		G/MIN		SEC		TONS
			CLOSE	OPEN	CLOSE	OPEN	CLOSE	OPEN	
RBSTG 5	4.4	5.2	4,786	4,351	34	37	1.5	1	15-22
RBSTG 6	4.4	4.6	4,786	4,351	34	37	1.5	1	21-27
RBSTG 7	4.4	3.9	4,786	4,351	34	37	1.5	1	24-29

### Options



Closed Tines "C"



Grilled Tines "R"